

Fluid Handling: CE Certified Des-Case Products

We currently offer CE certified filter carts, drum toppers, and panel units for your use.

Learn more about these systems today at www.descase.cz.

Dovoz do ČR a SR
INTRIBO s.r.o.
Sazečská 8, 108 00 Praha 10
+420 273 160 601
info@descase.cz
www.descase.cz

Keeping Contamination Under Control[®]

© 2015 Des-Case Corporation. All rights reserved.
® Des-Case and the tagline "Keeping Contamination Under Control" are registered trademarks of Des-Case Corporation.



Fluid Handling: CE Certified Filter Cart



CE

A portable, offline filtration system that's ideal for mineral-based industrial fluids and a wide range of applications.



The Overview

The CE Filter Cart:

Where It's Used

- Decontaminating systems
- Flushing new or repaired systems
- Dispensing oil
- Pre-filtering new oil
- Evacuating used oil
- Topping off reservoirs
- Collecting oil samples for analysis

What Is Standard?

- Automatic pressure relief valve
- Dual-stage filtration
- 12' (3.66m) hose assemblies with quick connects
- Pneumatic wheels for easy mobility
- Industrial powder-coated paint
- Manual filter bypass
- High-viscosity sample valves
- Connector Type: BSPP ISO B couplers with female ends
- Drain: 1" (2.54cm) hose & connections
- Fill: 3/4" (1.91cm) hose & connections
- 25' (7.62m) power cord
- Heavy duty cart with oil catch pan
- One-year warranty

Performance

For filtering mineral-based industrial oils and most synthetic oils with a maximum operating viscosity range of ISO VG 680 (3000ssu/648cSt) at 100°F/38°C within ambient temperature ranges of -15°F to 150°F (-26°C to 66°C)

Materials:

- Frame: Carbon steel
- Paint: Industrial powder coat
- Filter Heads: Aluminum
- Fittings: Zinc-plated steel and/or brass
- Pumps: Aluminum/steel
- Hoses: Clear PVC with steel wire
- Gaskets: Buna-N

Filter Indicators:

- Filter indicator pops at 22psid (1.55bar) as warning that filter elements need to be replaced.

Pump Relief:

- Opens at 65psid (5.49bar)

Weight:

- Approximately 100-150lbs/45.4-68Kg (will vary depending on options selected)

Dimensions:

- 18.8"L x 21.5"W x 46.4"H/
47.8cm x 54.6cm x 117.9cm

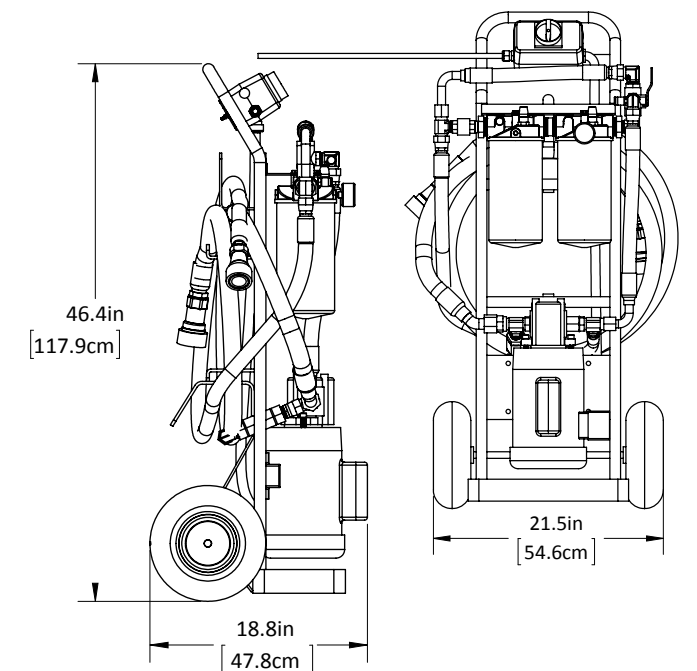
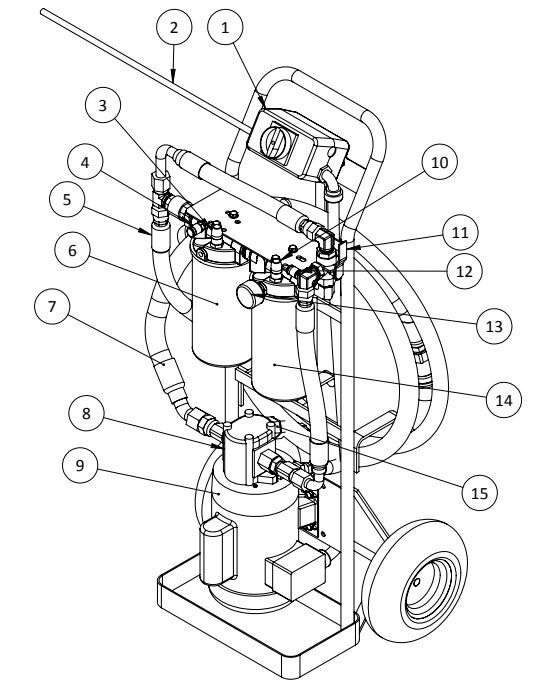
Did You Know?

The CE certified filter cart pairs perfectly with Des-Case's tote, drum, hydraulic, gearbox, and drain port adapter kits.

The Specs

By the Numbers

Item No.	Description	Qty.
1	Enclosed Motor Start Switch	1
2	25ft. (7.62m) Power Cord	1
3	2nd Filter Change Indicator	1
4	Post-Filter Sample Valve	1
5	Outlet Hose	1
6	2nd Filter	1
7	Inlet Hose	1
8	Pump	1
9	Motor	1
10	1st Filter Change Indicator	1
11	Manual Bypass Valve	1
12	Pre-Filter Sample Valve	1
13	System Pressure Gauge	1
14	1st Filter	1
15	Pump Relief Valve-65psi (5.49bar)	1



For ordering information, please see insert or contact us at +420 273 160 601.

To Order: CE Filter Cart

EFC		R	1			B	2	0	0	
Box 1		Box 2			Box 3		Box 4			

Pump/Motor Combinations [Box 1]

110 VAC Options		220 VAC Options	
Code	Description	Code	Description
02G	1.5gpm (5.68 lpm)/1 hp electric, 110 vac, 50 Hz, 1425 rpms, 12.4 amps	02H	1.5gpm (5.68 lpm)/1 hp electric, 220 vac, 50 Hz, 1425 rpms, 6.2 amps
05G	4gpm (15.1 lpm)/1 hp electric, 110 vac, 50 Hz, 1425 rpms, 12.4 amps	05H	4gpm (15.1 lpm)/1 hp electric, 220 vac, 50 Hz, 1425 rpms, 6.2 amps
10G	8gpm (30.3 lpm)/1 hp electric, 110 vac, 50 Hz, 1425 rpms, 12.4 amps	10H	8gpm (30.3 lpm)/1 hp electric, 220 vac, 50 Hz, 1425 rpms, 6.2 amps

NOTE: Performance will vary depending on operating temperature, fluid type, and unit options. 65psi (5.49bar) pressure relief valve included. Call Des-Case for assistance in choosing a flow rate specific to your needs.

Filter A [Box 2]/ Filter B [Box 3]

Code	Description
A	3-micron Particulate Filter
B	6-micron Particulate Filter
C	12-micron Particulate Filter
D	25-micron Particulate Filter
J	Water Filter

Custom Colors [Box 4]

Code	Description
1	Brushed Aluminum
2	Black
3	White
4	Blue
5	Red
6	Yellow

Replace Your Elements

Part No.	Micron Rating
FC-AF	Beta 200 @ 3um
FC-BF	Beta 200 @ 6um
FC-CF	Beta 200 @ 12um
FC-DF	Beta 200 @ 25um
FC-JF	Water Removal

Keeping Contamination Under Control[®]

Dovoz do ČR a SR - INTRIBO s.r.o. | Sazečská 8 | 108 00 Praha 10
+420 273 160 601 | info@descase.cz | www.descase.cz

© 2015 Des-Case Corporation. All rights reserved.

® Des-Case and the tagline "Keeping Contamination Under Control" are registered trademarks of Des-Case Corporation.

